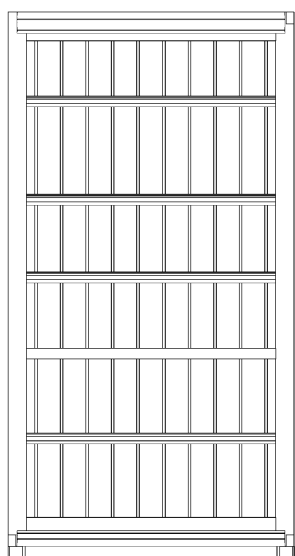
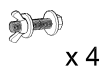


...

PBBR

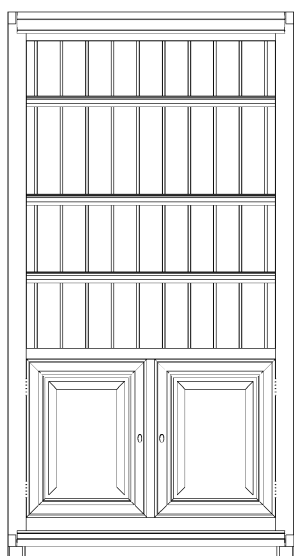


a-b-c-d

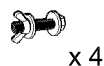


x 4

PBBT

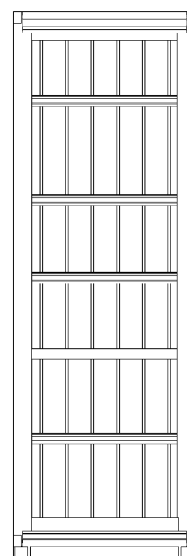


a-b-c-d



x 4

PBRI



a-b-c-d



x 4

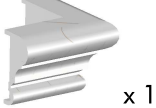
PBBY

PBBZ

m



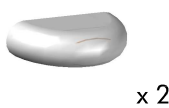
n



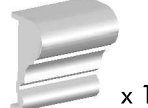
i-j



u-x



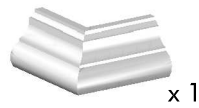
q-r



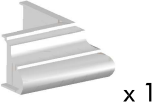
v-w



o



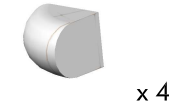
p



k-l



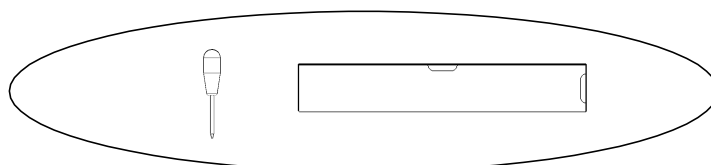
u-x

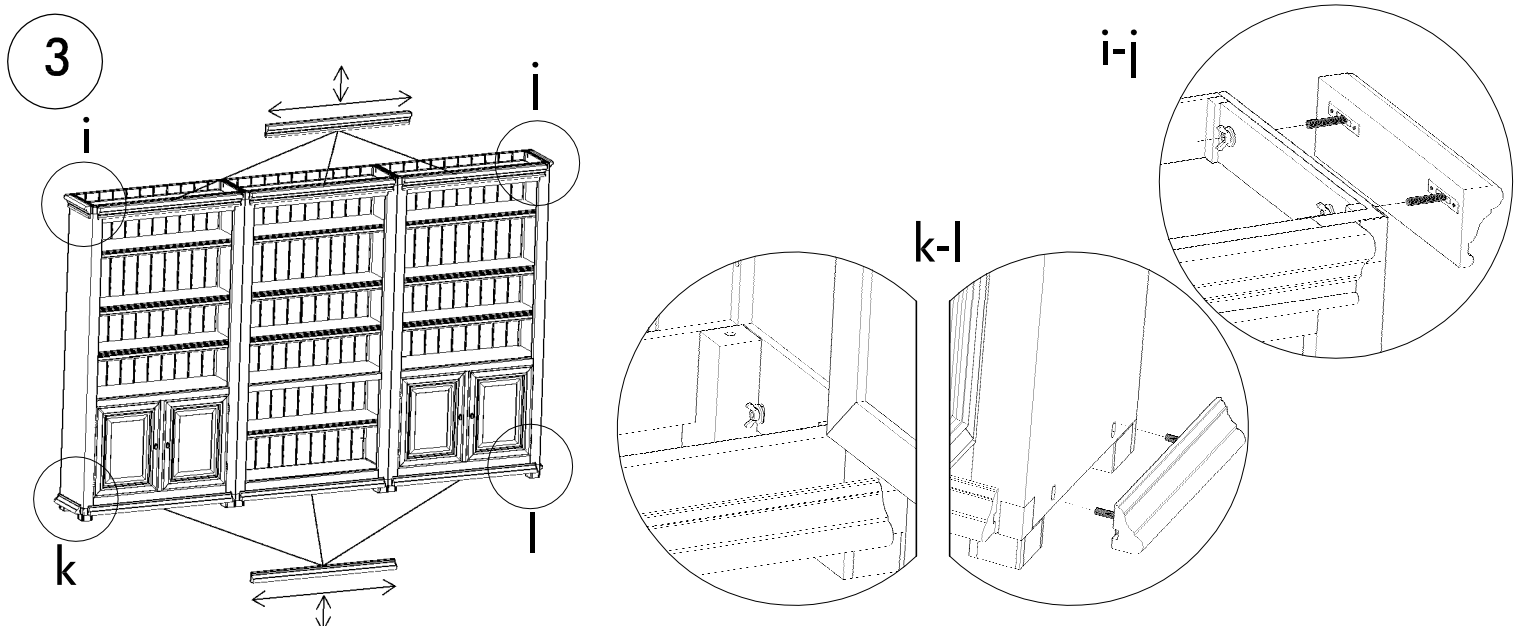
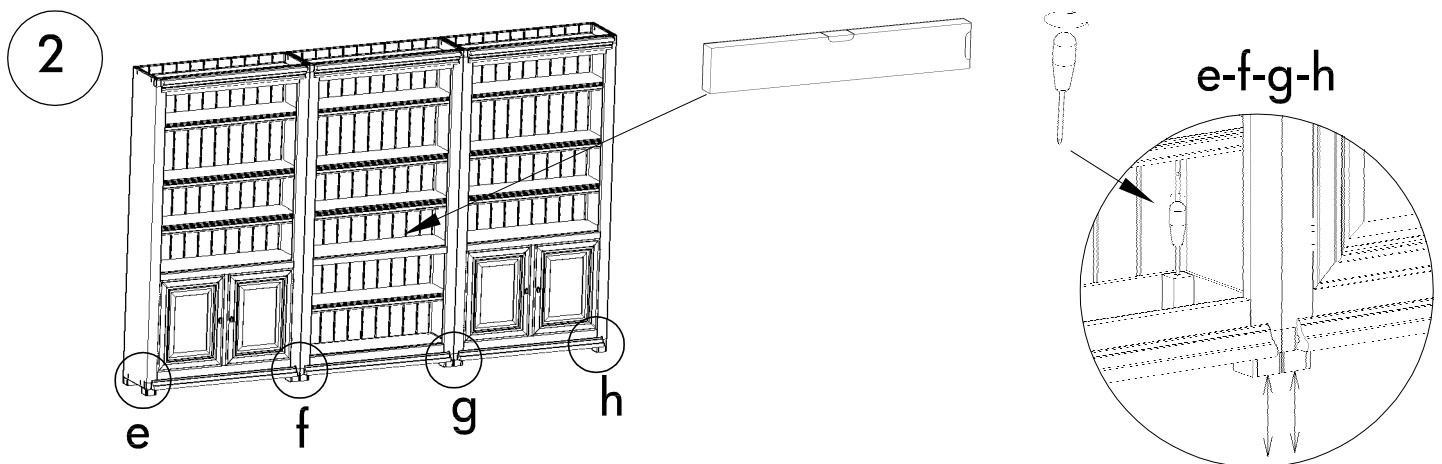
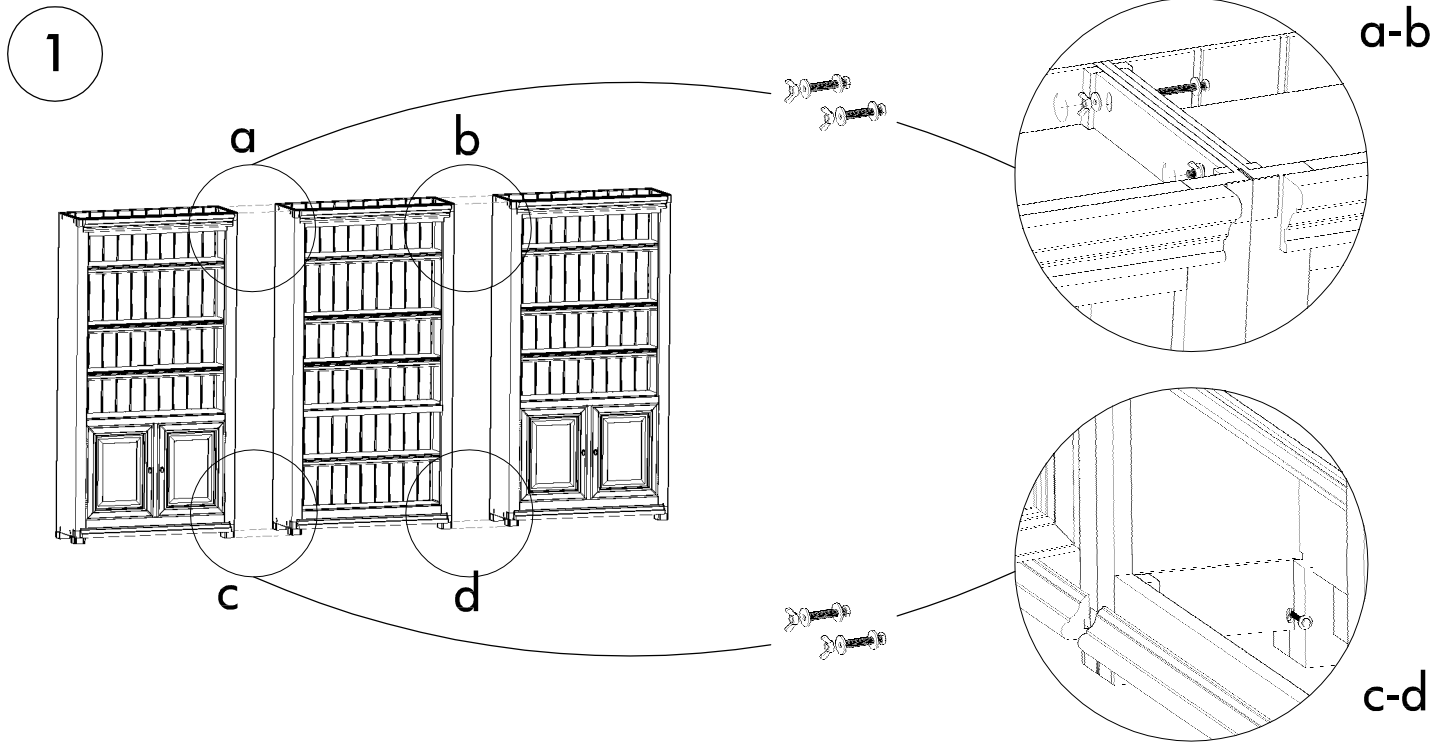


s-t

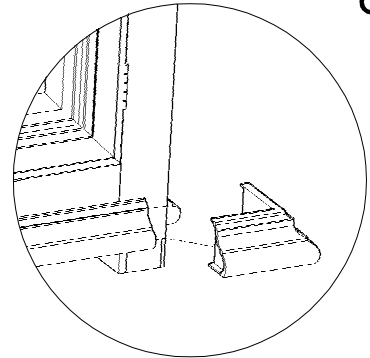
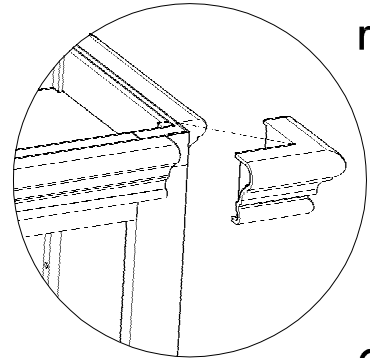
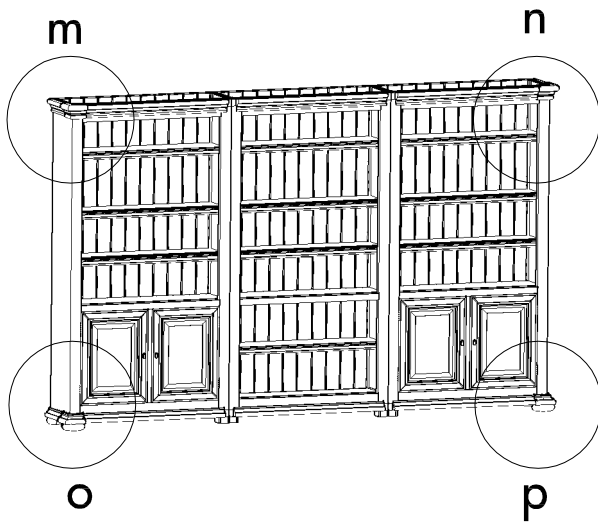


**Outils non fournis / Without tools**

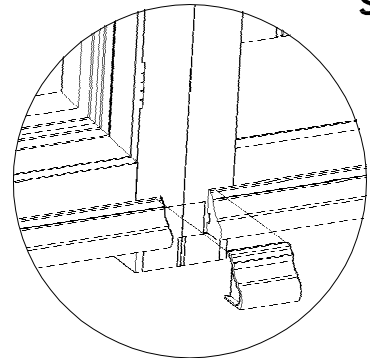
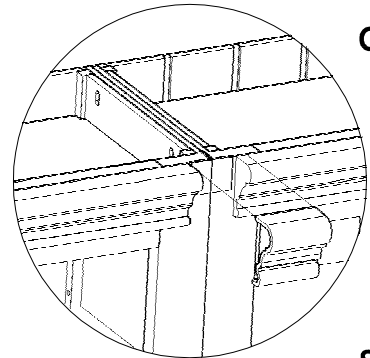
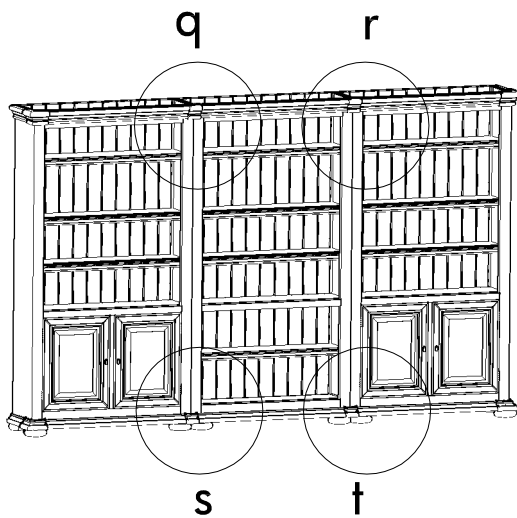




4



5



6

